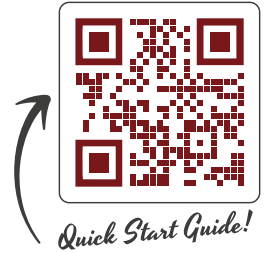




LIGHTING • FIRE & CO DETECTION



Quick Start Guide!

RADIO FREQUENCY BATTERY HEAT DETECTOR

WITH 10 YEAR LITHIUM BATTERY

RF10-PRO

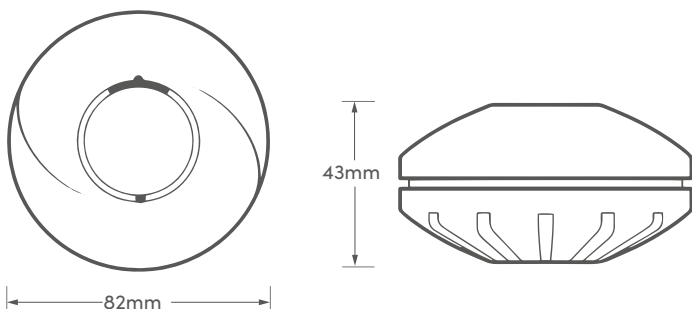


FEATURES

- Interconnect up to 20 wireless detectors
- 10yr Sealed Lithium Battery
- Battery only with integrated RF technology
- Activated by twist and click mounting bracket
- Loud 85dB alarm
- Insect proof
- Test function and hush feature
- Easy Installation
- Compatible with Hispec Control Unit HSSA/CU/RF10-PRO

TECHNICAL INFORMATION

| | |
|-------------------------------|--|
| Scheme Rating: | F1 |
| Power Source: | Sealed Lithium Battery with 10 year life |
| Alarm Sound Level: | 85dB at 3 metres |
| Operating Temp: | 0°C ~ 40°C |
| Transmit & Recieve Frequency: | 868MHz |
| Weight: | 72g |
| Approvals: | BS EN5446-2:2003 |



Product Code: HSA/BH/RF10-PRO



hispec.co.uk

